



your Careplan

Dear Carol Stephenson



Thank you for taking the time to talk to me today about our Careplan products.

Quote Reference: 4000931001

Getting your appliances serviced by a Gas Safe registered engineer is recommended to help keep your gas appliances safe and efficient. That's why all our Careplan agreements include an annual service as standard. You can find out more about Careplan via our [website](#).



Call me on
0800 316 3255
Mon-Thurs 8:45-6pm
Fri 8:45-5pm

Did you know, as an employer you may have a legal obligation to make sure your gas appliances are maintained and kept in a safe condition...

Agreement	Appliance(s)	Price (inc. VAT)
CarePlan 1 <ul style="list-style-type: none">• Annual Service	1 <40kw Boiler	£114.00 per annum
CarePlan 2 <ul style="list-style-type: none">• Annual Service• Unlimited call-outs• Labour included• Appliance covered	1 <40kw Boiler	£195.60 per annum
CarePlan 2(S) <ul style="list-style-type: none">• Annual Service• Unlimited call-outs• Labour included• System covered	1 <40kw Boiler	£220.80 per annum
CarePlan 3 <ul style="list-style-type: none">• Annual Service• Unlimited call-outs• Labour included• Parts included**• Appliance covered	1 <40kw Boiler	£289.20 per annum
CarePlan 3(S) <ul style="list-style-type: none">• Annual Service• Unlimited call-outs• Labour included• Parts included**• System covered	1 <40kw Boiler	£396.00 per annum

Terms & Conditions can be found online [here](#).

In the meantime, if you have any questions or want to discuss further, please call or email me – I'm here to help.

Mark Simnor

BGB Service & Repair Sales Executive

☎ 0800 316 3255

✉ mark.simnor@centrica.com

British Gas Business

Spinneyside Offices

Penman Way

Grove Park

Leicester LE19 1SZ



British Gas

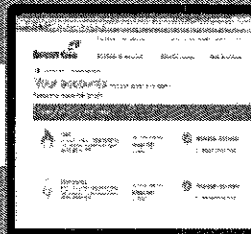
Looking after your world



Manage your business energy online

You can submit meter readings, view and pay your bills and do much more online.

 Register now



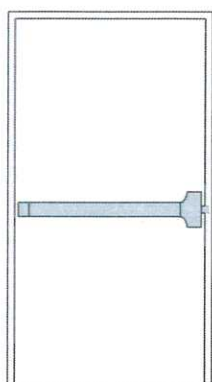
The information contained in or attached to this email is intended only for the use of the individual or entity to which it is addressed. If you are not the intended recipient, or a person responsible for delivering it to the intended recipient, you are not authorised to and must not disclose, copy, distribute, or retain this message or any part of it. It may contain information which is confidential and/or covered by legal professional or other privilege (or other rules or laws with similar effect in jurisdictions outside England and Wales).

The views expressed in this email are not necessarily the views of Centrica plc, and the company, its directors, officers or employees make no representation or accept any liability for its accuracy or completeness unless expressly stated to the contrary.

PH Jones is a trading name of British Gas Social Housing Limited. British Gas Social Housing Limited (company no: 01026007), British Gas Trading Limited (company no: 03078711), British Gas Services Limited (company no: 3141243), British Gas Insurance Limited (company no: 06608316), British Gas New Heating Limited (company no: 06723244), British Gas Services (Commercial) Limited (company no: 07385984) and Centrica Energy (Trading) Limited (company no: 02877397) are all wholly owned subsidiaries of Centrica plc (company no: 3033654). Each company is registered in England and Wales with a registered office at Millstream, Maidenhead Road, Windsor, Berkshire SL4 5GD.

British Gas Insurance Limited is authorised by the Prudential Regulation Authority and regulated by the Financial Conduct Authority and the Prudential Regulation Authority. British Gas Services Limited and Centrica Energy (Trading) Limited are authorised and regulated by the Financial Conduct Authority. British Gas Trading Limited is an appointed representative of British Gas Services Limited which is authorised and regulated by the Financial Conduct Authority.

CORNI TOUCH 445 PANIC EXIT DEVICES CE



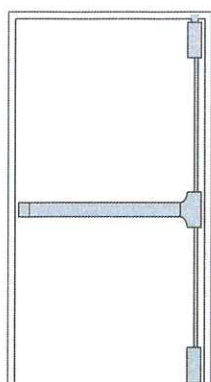
SINGLE PANIC LATCH

With standard side latch (black body, red touch-bar)
Ref. **CT1040.00**

Comprising:
N44505 84 000
touch-bar latch mech, 840mm
£123.38 set



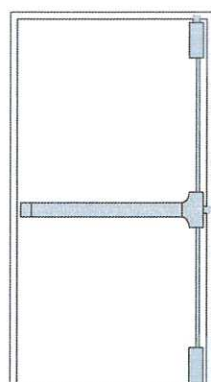
ASSA ABLOY



SINGLE PANIC BOLT (2 POINT)

Using vertical top & bottom latches with central side latch nullified (black body, red touch-bar)
Ref. **CT1240.0Z**

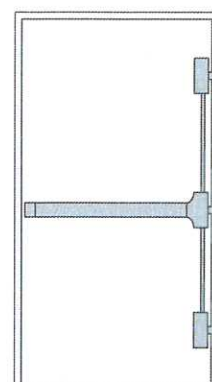
Comprising:
N44505 84 000
touch-bar latch mech, 840mm
N03429 00 000
vertical pullman latch kit
N04444 00 000
vertical rods & covers, 2200mm
£148.94 set



SINGLE PANIC BOLT (3 POINT)

Using top, bottom & central latches with central side latch active (black body, red touch-bar)
Ref. **CT1240.0Z**

Comprising:
N44505 84 000
touch-bar latch mech, 840mm
N03429 00 000
vertical pullman latch kit
N04444 00 000
vertical rods & covers, 2200mm
£148.94 set



SINGLE PANIC BOLT (3 POINT)

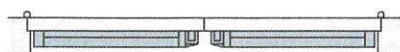
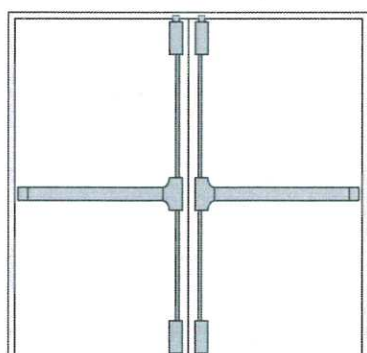
Using three side latches with central side latch active (black body, red touch-bar)
Ref. **CT1246.0Z**

Comprising:
N44505 84 000
touch-bar latch mech, 840mm
N03429 00 050
horizontal pullman latch kit
N04444 00 000
vertical rods & covers, 2200mm
£158.48 set

CT223.30

CT274.30

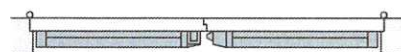
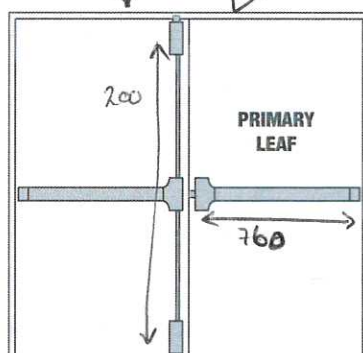
REF	MECH WIDTH	DOOR WIDTH	MAX CUT-DOWN
N44505 32 000*	320mm	up to 400mm	cannot be cut
N44505 64 000*	640mm	500-650mm	150mm
N44505 84 000	840mm	650-850mm	200mm
N44505 11 000*	1140mm	850-1150mm	300mm
N44505 13 000*	1300mm	850-1310mm	460mm



DOUBLE DOOR PANIC BOLT SET

Plain meeting stiles with both central side latches nullified (black body, red touch-bars)
Ref. **CT2480.0Z**

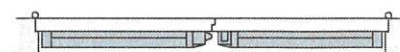
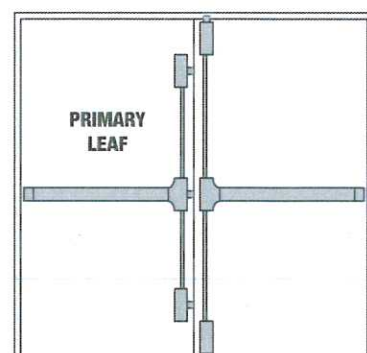
Comprising: (2 x **CT1240.0Z**)
2 x **N44505 84 000** touch-bar latch mech, 840mm
2 x **N03429 00 000** vertical pullman latch kit
2 x **N04444 00 000** vertical rods & covers, 2200mm
£297.88 set



DOUBLE DOOR PANIC BOLT SET

Standard set for rebated meeting stiles or astragal with one central side latch nullified (black body, red touch-bars)
Ref. **CT2481.0Z**

Comprising: (**CT1240.0Z** + **CT1040.00**)
2 x **N44505 84 000** touch-bar latch mech, 840mm
1 x **N03429 00 000** vertical pullman latch kit
1 x **N04444 00 000** vertical rods & covers, 2200mm
£272.32 set



DOUBLE DOOR PANIC BOLT SET

3 point set for rebated meeting stiles or astragal with one central side latch nullified (black body, red touch-bars)
Ref. **CT2482.0Z**

Comprising: (**CT1240.0Z** + **CT1246.0Z**)
2 x **N44505 84 000** touch-bar latch mech, 840mm
1 x **N03429 00 000** vertical pullman latch kit
1 x **N03429 00 050** horizontal pullman latch kit
2 x **N04444 00 000** vertical rods & covers, 2200mm
£307.42 set

FULL BREAKDOWN OF COMPONENT PRICES INCLUDING "JOLLY" HANDLE OAD ON PAGES 178-182

CT = CORNI TOUCH

All products usually available ex-stock except those marked with * Call for lead time
No charge for split boxes, but please try to order boxed quantity multiples where possible

TEL: +44 (0)1785 282910 | WWW.ZEROPLUS.CO.UK

EXIT HARDWARE DEVICES

Tel

Email :

16th February 2017

Steyning Parish Council,
The Steyning Centre,
Fletchers Croft,
Steyning,
West Sussex BN44 3XZ

Dear Sir/Madam,

Hourly Rate

I write to inform you that from the 1st April 2017 my hourly rate will increase from £16.00 to £17.00 per hour.

Yours faithfully



[Illegible name]